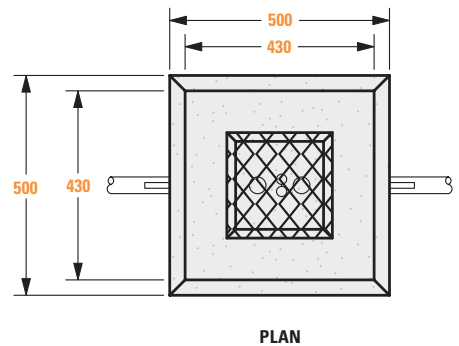
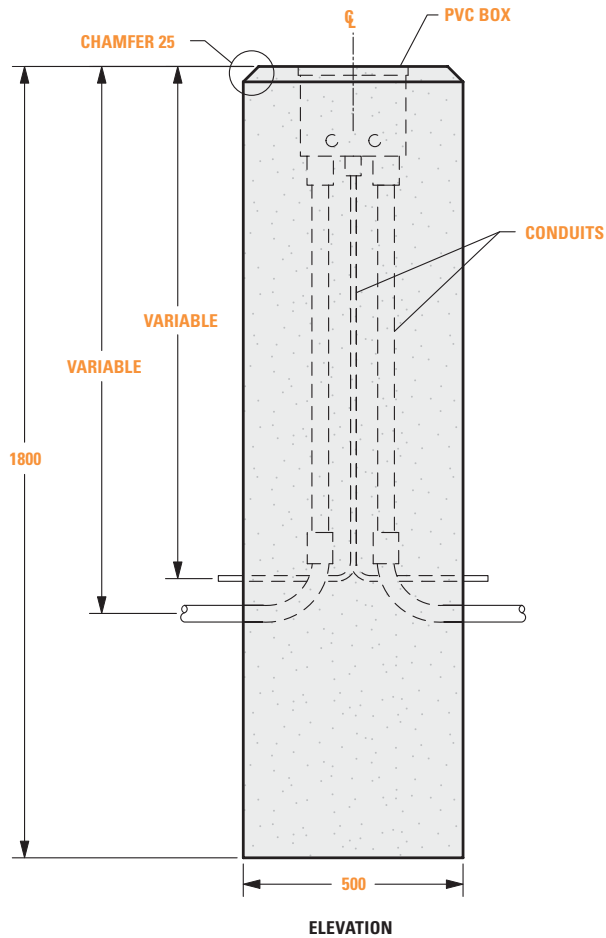


PULLBOX

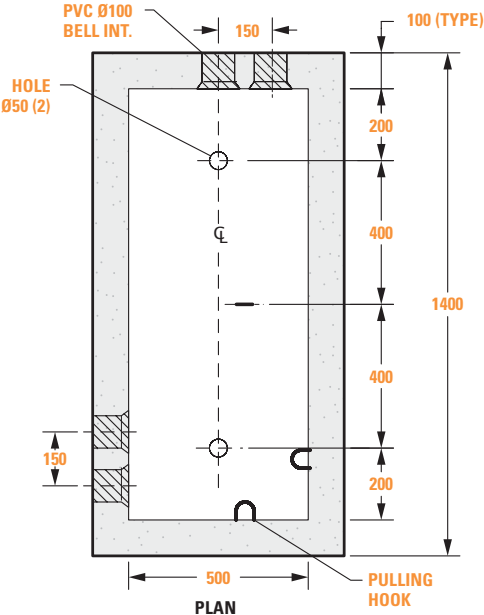
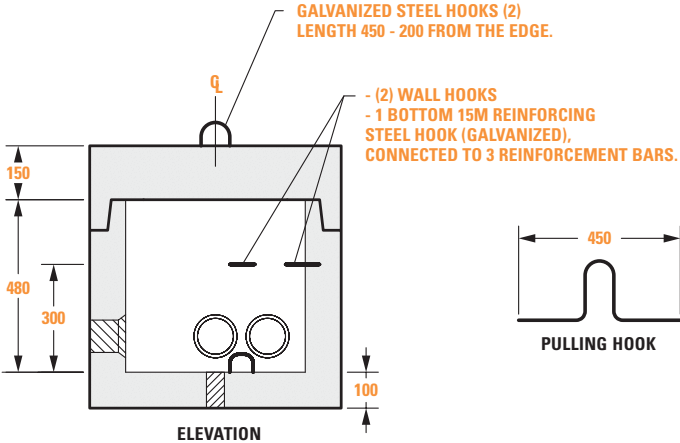
- + Hardware supplied by the customer
- + Localization of the conduits by the customer



PULL WELL

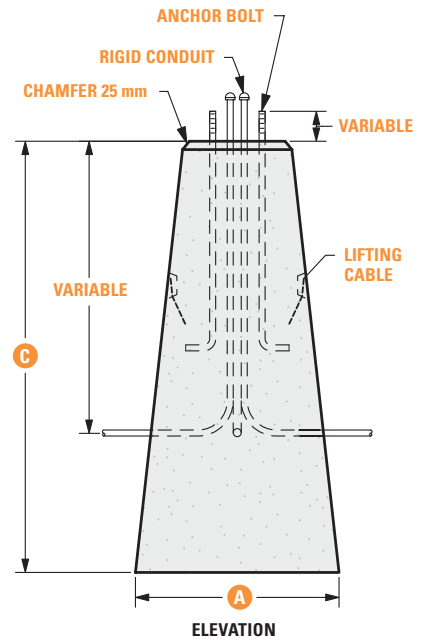
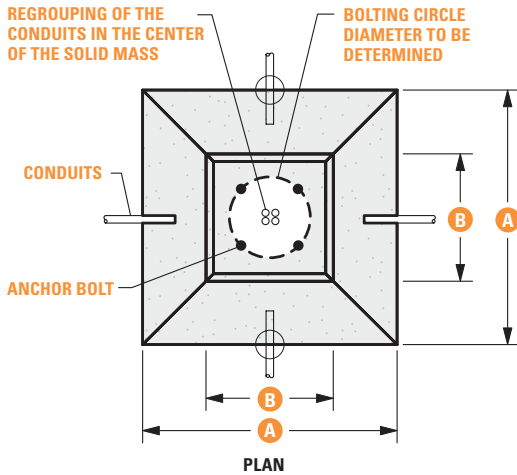
- + Bells, lifting hooks and pulling hooks supplied by the customer.
- + Localization of the hooks and the conduits to be determined by the customer.
- + Weight: 1200 kg

ELECTRICAL VAULT



PYRAMIDAL STREET LAMP BASES

- + Hardware supplied by the customer.
- + Localization of the conduits and the anchor bolts by the customer.



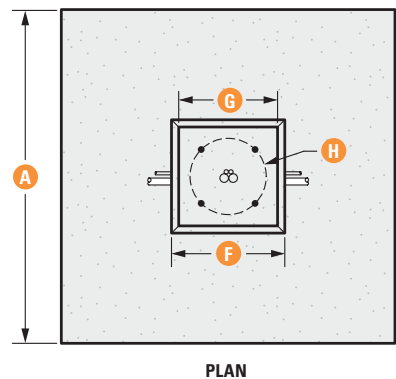
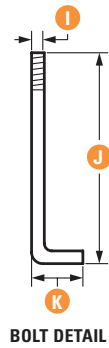
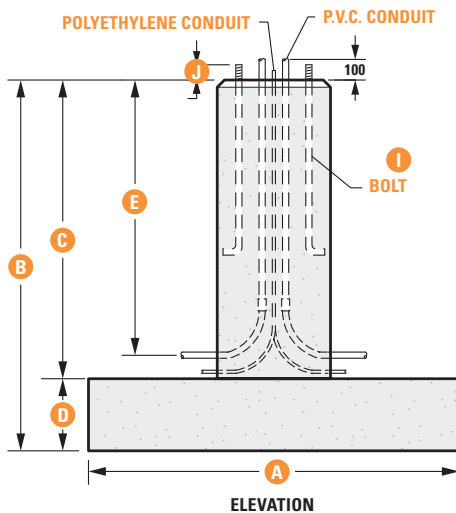
CHARACTERISTICS

	A	B	C	
NUM.				WEIGHT (kg)
1	750	300	2000	1345
2	750	360	1600	1175
3	700	400	1500	1065
4	600	420	1830	1105
5	750	450	2440	2070
6	850	450	2350	2360
7	850	450	3350	3370
8	850	450	2100	2105
9	900	450	1800	1950
10	1200	450	2200	3665
11	600	460	1630	1060
12	800	500	2500	2485
13	700	530	1800	1570
14	750	550	1800	1750
15	800	550	2090	2200
16	900	550	1800	2210
17	850	600	1800	2200
18	900	600	2900	3790
19	1200	600	1760	3380
20	1300	750	1800	4415

* All dimensions are in millimeters.

M.T.Q. MODEL STREET LAMP BASES

- + Localization, conduits and the anchor bolts supplied by the customer
- + Rebar to be determined by the customer



CHARACTERISTICS

	A	B	C	D	E	F	G	H	I	J	K	L		
TYPE														WEIGHT (kg)
ME-0	1200	1800	1550	250	1425	450	380	Ø305	Ø25,4	75	80	130	1580	
ME-1	1500	1800	1500	300	1425	450	380	Ø305	Ø25,4	75	80	130	2250	
ME-2	1800	1800	1450	350	1425	550	480	Ø368	Ø31,8	75	100	160	3620	
ME-3	2100	1800	1400	400	1375	600	530	Ø457	Ø31,8	75	100	160	5220	

Other dimensions are available on request.
 * All dimensions are in millimeters.

DISTRIBUTION CABINET BASES

- + Hardware supplied by the customer
- + Localization of the conduits by the customer
- + Rebar to be determined by the customer

