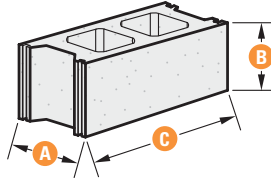


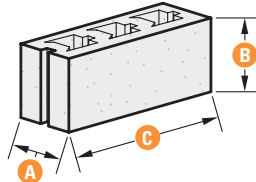
MASONRY BLOCKS

HOLLOW



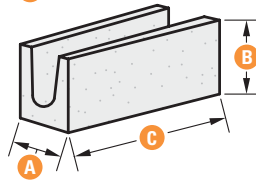
	A	B	C		
CODE	DIMENSIONS (mm)			WEIGHT (kg)	Quantity per pallet
BB1000	90	190	390	12	180
BB1500	140	190	390	13	120
BB2000	190	190	390	17	90
BB2500	240	190	390	21	75
BB3000	290	190	390	25	60

UTILITY



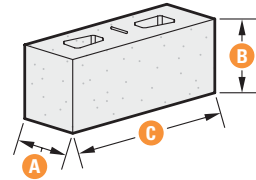
	A	B	C		
CODE	DIMENSIONS (mm)			WEIGHT (kg)	Quantity per pallet
BB1530	140	190	390	13	120
BB2030	190	190	390	17	90

BOND BEAM



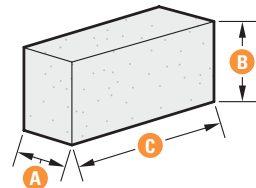
	A	B	C		
CODE	DIMENSIONS (mm)			WEIGHT (kg)	Quantity per pallet
BB1540	140	190	390	13	120
BB2040	190	190	390	24	90
BB2540	240	190	390	25	75

75% SOLID



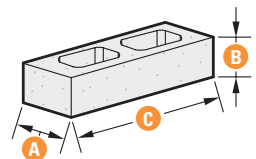
	A	B	C		
CODE	DIMENSIONS (mm)			WEIGHT (kg)	Quantity per pallet
BB1575	140	190	390	18	100
BB2075	190	190	390	23	75

SOLID



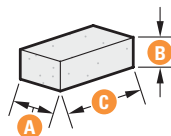
	A	B	C		
CODE	DIMENSIONS (mm)			Weight (kg)	Quantity per pallet
BB0520	45	190	390	8	360
BB0720	70	190	390	12	216
BB1020	90	190	390	15	180
BB1520	140	190	390	23	96
BB2020	190	190	390	29	54

HALF-HIGH



	A	B	C		
CODE	DIMENSIONS (mm)			Weight (kg)	Quantity per pallet
BB1010	90	90	390	6	360
BB1510	140	90	390	7	240
BB2010	190	90	390	10	180

BACK UP BRICK

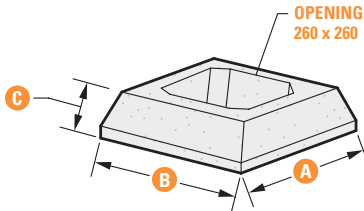


	A	B	C		
CODE	DIMENSIONS (mm)			Weight (kg)	Quantity per pallet
BB0570	90	57	190	2,2	864

* All dimensions are in millimeters.

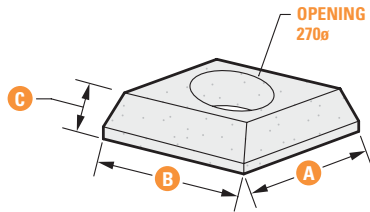
CHIMNEY BLOCK CAP

CHIMNEY BLOCK CAP (SQUARE)



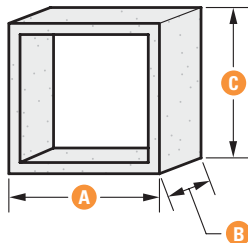
		A	B	C	
CODE	COLOR	DIMENSIONS (mm)			WEIGHT (kg)
BB4002C	GREY	510	510	100	45
BB4024C	GREY	610	610	100	68

CHIMNEY BLOCK CAP (ROUND)



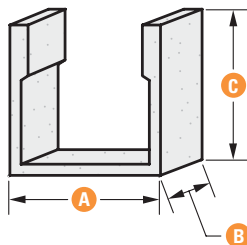
		A	B	C	
CODE	COLOR	DIMENSIONS (mm)			WEIGHT (kg)
BB4002R	GREY	510	510	100	45
BB4024R	GREY	610	610	100	68

CHIMNEY BLOCK (REGULAR)



		A	B	C		
CODE	COLOR	DIMENSIONS (mm)			WEIGHT (kg)	Quantity per pallet
BB4000	GREY	407	190	407	36	45

CHIMNEY BLOCK (HOLED)



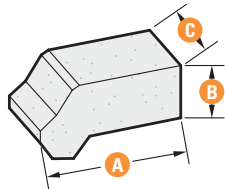
		A	B	C	
CODE	COLOR	DIMENSIONS (mm)			WEIGHT (kg)
BB4001	GREY	407	190	407	36

* All dimensions are in millimeters.

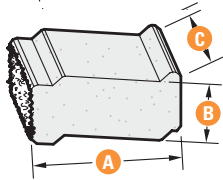
Note: These types of blocks are only used as facings or caps for the approved chimneys.

SLOPE BLOCKS

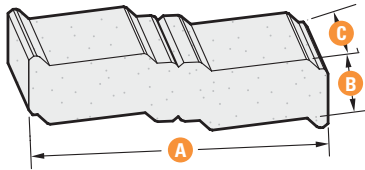
UNO



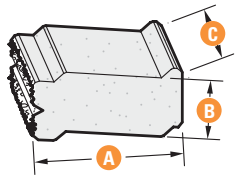
SPLIT FACE DUO



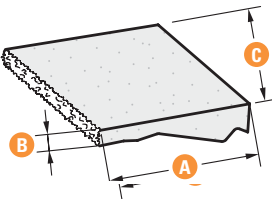
DOUBLE LENGTH DUO



MINI-DUO SPLIT FACE



SPLIT FACE DUO CAP



FOUNDATION SLAB FOR SLOPE BLOCK



		A	B	C		
CODE	COLOR	DIMENSIONS (mm)			WEIGHT (kg)	QUANTITY PER PALLET
BR8011 (REG.)	GREY	290	150	190	18	96

		A	B	C		
CODE	COLOR	DIMENSIONS (mm)			WEIGHT (kg)	QUANTITY PER PALLET
BRE811 (REG.)	GREY	290	140	190	18	112
BRE807 (REG.)	BLUE GREY	290	140	190	18	112
BRE813 (REG.)	RED	290	140	190	18	112
BRE816 (REG.)	BROWN	290	140	190	18	112

		A	B	C		
CODE	COLOR	DIMENSIONS (mm)			WEIGHT (kg)	QUANTITY PER PALLET
BR0811	GREY	592	140	190	36	56

		A	B	C		
CODE	COLOR	DIMENSIONS (mm)			WEIGHT (kg)	QUANTITY PER PALLET
BRV771 (REG.)	GREY	290	140	190	18	112
BRV707 (REG.)	BLUE GREY	290	140	190	18	112
BRV713 (REG.)	RED	290	140	190	18	112
BRV716 (REG.)	BROWN	290	140	190	18	112

		A	B	C		
CODE	COLOR	DIMENSIONS (mm)			WEIGHT (kg)	QUANTITY PER PALLET
BCE811	GREY	355	70	190	11	72
BCE807	BLUE GREY	355	70	190	11	72
BCE813	RED	355	70	190	11	72
BCE816	BROWN	355	70	190	11	72

		A	B	C		
CODE	COLOR	DIMENSIONS (mm)			WEIGHT (kg)	QUANTITY PER PALLET
BR8080	GREY	420	80	1000	80	15

* All dimensions are in millimeters.

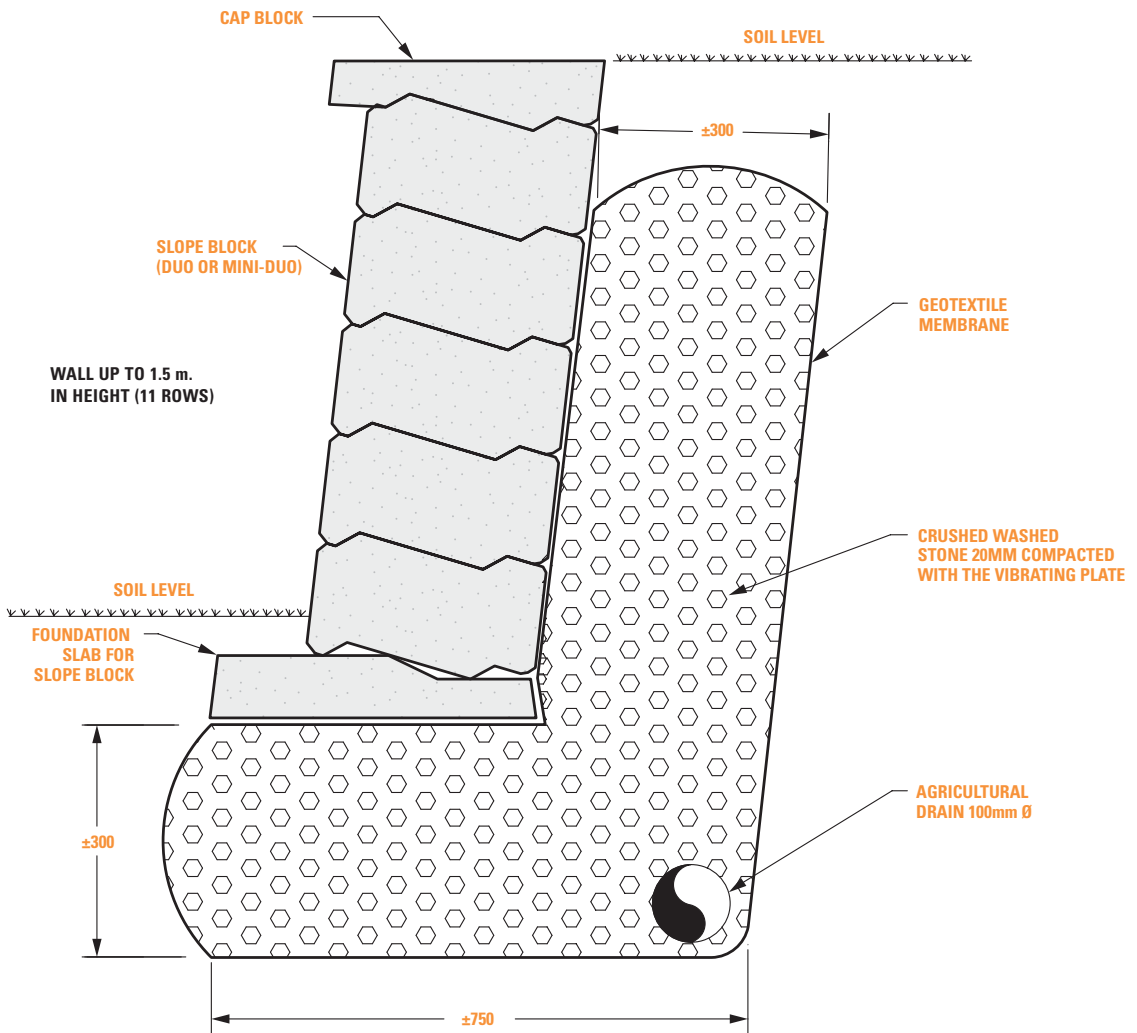
RECOMMANDATIONS

Facing bricks, slope blocks, architectural blocks. The colors and textures can vary from one production to another. It is essential to stock up in several cubes at the same time, in order to ensure oneself of the uniformity of the whole project. Other colors as well as other textures may also be available upon request.

SLOPE BLOCKS – DIAGRAM OF INSTALLATION

The slope block wall constitutes the simplest way to design a slope. The recommendations mentioned in the preceding page are very important in order to ensure the beauty and the durability of the work.

RETAINING WALL MADE OF SLOPE BLOCKS

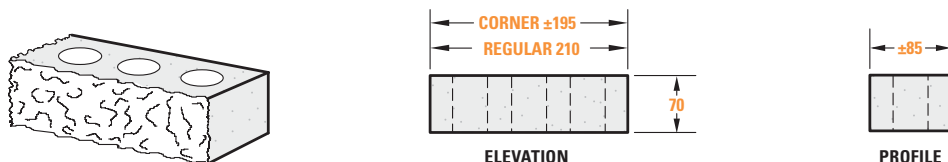


RESIDENTIAL FACING BRICKS

+ Fabricated according to the CAN3-A-165.2-M85 Standard

RECOMMENDATIONS

Facing bricks – slope up blocks - architectural blocks. The colors and/or textures may vary from one production to another. It is essential to stock up from several cubes at the same time in order to ensure the uniformity of the whole project.



REGULAR SERIES BR100 (SPLIT FACE)

SERIES CODE	COLORS	DIMENSIONS (mm)	WEIGHT (kg)	QUANTITY PER FT ²	QUANTITY PER M ²	QUANTITY PER PALLET
BR102R	ASH WHITE	70x85x210	2.6	5.4	59	720

CORNER SERIES BR100 (SPLIT FACE)

SERIES CODE	COLORS	DIMENSIONS (mm)	WEIGHT (kg)	QUANTITY PER FT ²	QUANTITY PER M ²	QUANTITY PER PALLET
BR102C	ASH WHITE	70x85x195	2.6	5.4	59	702

REGULAR SERIES BR200 (SPLIT FACE)

SERIES CODE	COLORS	DIMENSIONS (mm)	WEIGHT (kg)	QUANTITY PER FT ²	QUANTITY PER M ²	QUANTITY PER PALLET
BR213R	BROWNISH RED	70x85x210	2.6	5.4	59	720
BR216R	COPPERY BROWN	70x85x210	2.6	5.4	59	720
BR221R	SILICA CREAM	70x85x210	2.6	5.4	59	720
BR223R	ASH GREY	70x85x210	2.6	5.4	59	720

CORNER SERIES BR200 (SPLIT FACE)

SERIES CODE	COLORS	DIMENSIONS (mm)	WEIGHT (kg)	QUANTITY PER FT ²	QUANTITY PER M ²	QUANTITY PER PALLET
BR213C	BROWNISH RED	70x85x195	2.6	5.4	59	702
BR216C	COPPERY BROWN	70x85x195	2.6	5.4	59	702
BR221C	SILICA CREAM	70x85x195	2.6	5.4	59	702
BR223C	ASH GREY	70x85x195	2.6	5.4	59	702

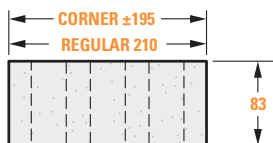
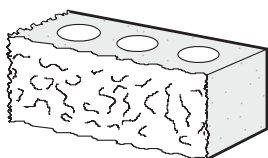
* All dimensions are in millimeters.

COMMERCIAL FACING BRICKS

+ Fabricated according to the CAN3-A-165.2-M85 Standard

RECOMMENDATIONS

Facing bricks – slope blocks - architectural blocks. The colors and/or textures may vary from one production to another. It is essential to stock up from several cubes at the same time in order to ensure of the uniformity of the whole project.



ELEVATION



PROFILE

REGULAR SERIES BC100 (SPLIT FACE)

SERIES CODE	COLORS	DIMENSIONS (mm)	WEIGHT (kg)	QUANTITY PER FT ²	QUANTITY PER M ²	QUANTITY PER PALLET
BC102R	ASH WHITE	83x85x210	2.8	4.6	50	600

CORNER SERIES BR100 (SPLIT FACE)

SERIES CODE	COLORS	DIMENSIONS (mm)	WEIGHT (kg)	QUANTITY PER FT ²	QUANTITY PER M ²	QUANTITY PER PALLET
BC102C	ASH WHITE	83x85x195	2.8	4.6	50	624

REGULAR SERIES BC200 (SPLIT FACE)

SERIES CODE	COLORS	DIMENSIONS (mm)	WEIGHT (kg)	QUANTITY PER FT ²	QUANTITY PER M ²	QUANTITY PER PALLET
BC213R	BROWNISH RED	83x85x210	2.8	4.6	50	600
BC216R	COPPERY BROWN	83x85x210	2.8	4.6	50	600
BC221R	SILICA CREAM	83x85x210	2.8	4.6	50	600
BC223R	ASH GREY	83x85x210	2.8	4.6	50	600

CORNER SERIES BC200 (SPLIT FACE)

SERIES CODE	COLORS	DIMENSIONS (mm)	WEIGHT (kg)	QUANTITY PER FT ²	QUANTITY PER M ²	QUANTITY PER PALLET
BC213C	BROWNISH RED	83x85x195	2.8	4.6	50	624
BC216C	COPPERY BROWN	83x85x195	2.8	4.6	50	624
BC221C	SILICA CREAM	83x85x195	2.8	4.6	50	624
BC223C	ASH GREY	83x85x195	2.8	4.6	50	624

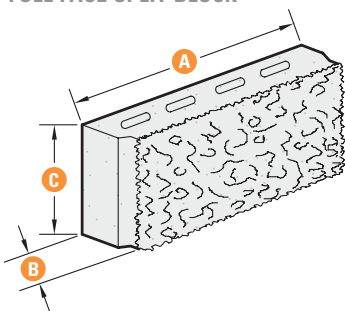
* All dimensions are in millimeters.

ARCHITECTURAL BLOCKS

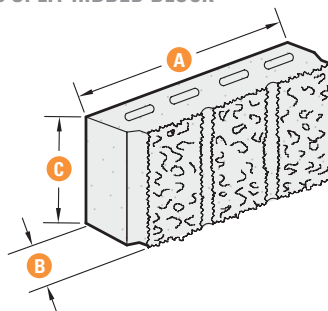
RECOMMENDATIONS

Facing bricks – slope blocks - architectural blocks. The colors and/or textures may vary from one production to another. It is essential to stock up from several cubes at the same time in order to ensure the uniformity of the whole project.

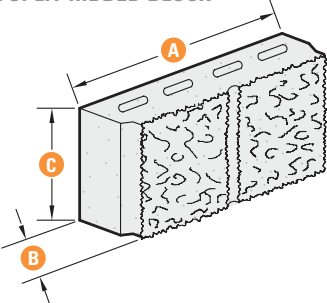
1 FULL FACE SPLIT BLOCK



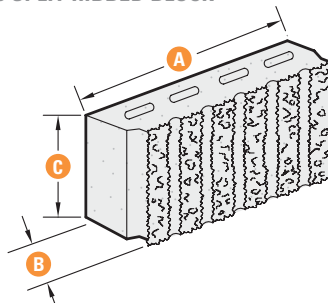
3 SPLIT RIBBED BLOCK



2 SPLIT RIBBED BLOCK



6 SPLIT RIBBED BLOCK



CHARACTERISTICS

SERIES CODE	COLORS	A	B	C	DIMENSIONS (mm)	WEIGHT (kg)	QUANTITY PER FT ²	QUANTITY PER M ²	QUANTITY PER PALLET
B4N111	Full Face Split Block (Grey)	390	100	190		16	1.16	12.5	144
B4N113	Full Face Split Block (Red)	390	100	190		16	1.16	12.5	144
B4N211	Block 2 Two Splits Ribbed Block (Grey)	390	100	190		14	1.16	12.5	144
B4N213	Block 2 Two Splits Ribbed Block (Red)	390	100	190		14	1.16	12.5	144
B4N311	Block 3 Three Splits Ribbed Block (Grey)	390	100	190		14	1.16	12.5	144
B4N313	Block 3 Three Splits Ribbed Block (Red)	390	100	190		14	1.16	12.5	144
B4N611	Block 6 Six Splits Ribbed Block (Grey)	390	100	190		14	1.16	12.5	144
B4N613	Block 6 Six Splits Ribbed Block (Red)	390	100	190		14	1.16	12.5	144