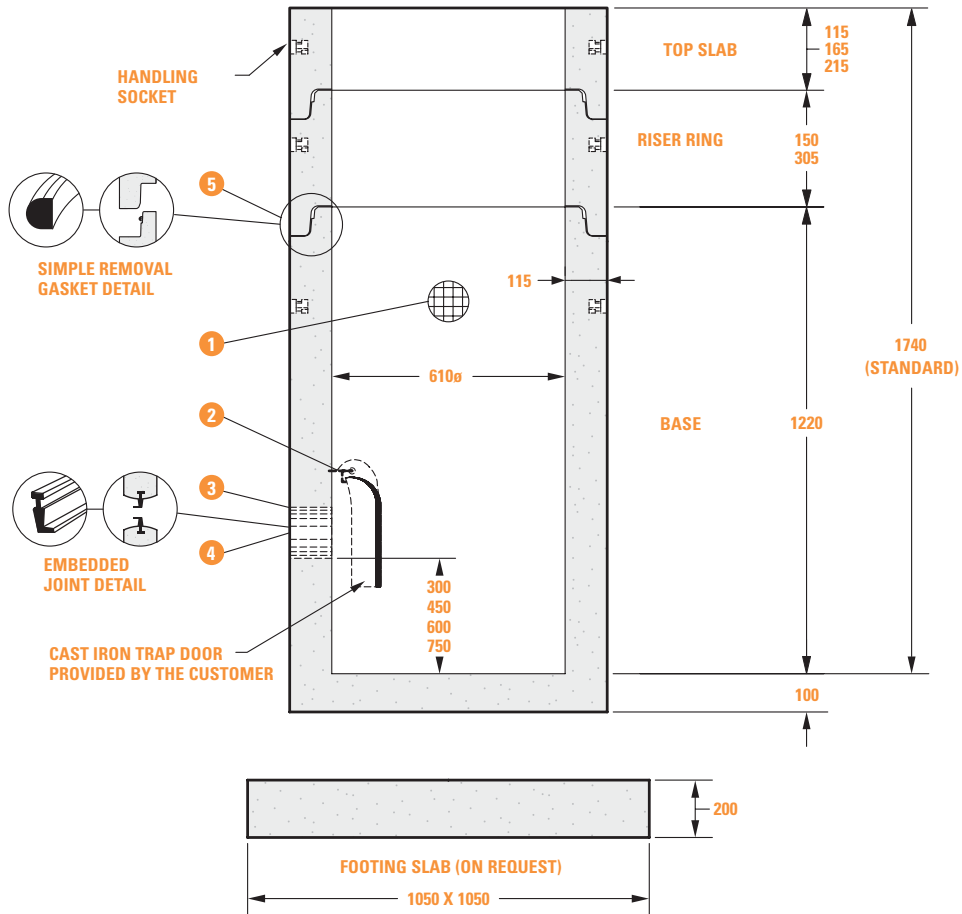


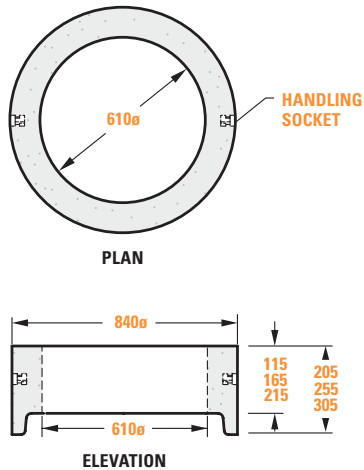
COMPLETE STREET CATCH BASIN Ø600



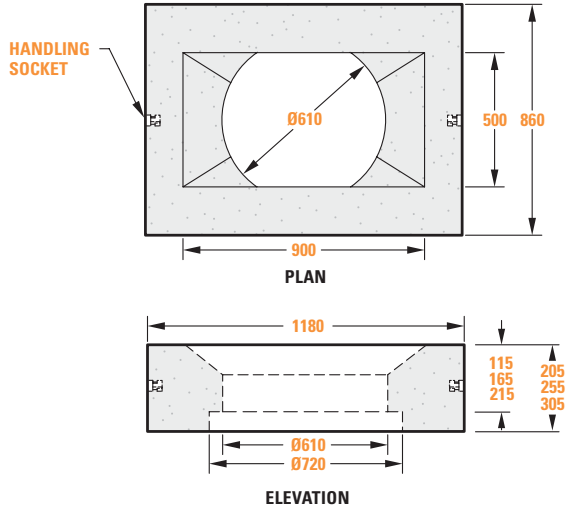
- 1 Opening with grate Ø100 available on request.
- 2 The galvanized steel hook for the cast iron trap is included on all our catch basins.
- 3 Standard catch basin for connection with gravitating PVC of the following diameters Ø150 - Ø200 - Ø250 - Ø300
- 4 Perforated opening or rubber gasket.
- 5 Rubber gasket available on request.

CATCH BASIN TOP SLABS Ø600

CATCH BASIN TOP SLAB FOR FRAME AND GRATE (Ø570 @ Ø750)

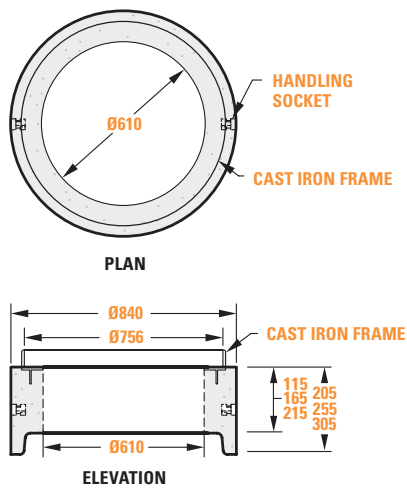


CATCH BASIN TOP SLAB FOR FRAME AND GRATE (450 X 900)

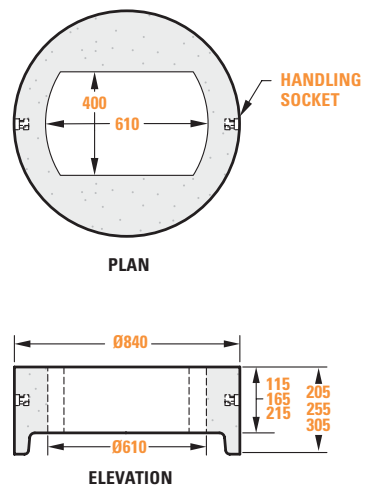


* Cast iron frame available on request.

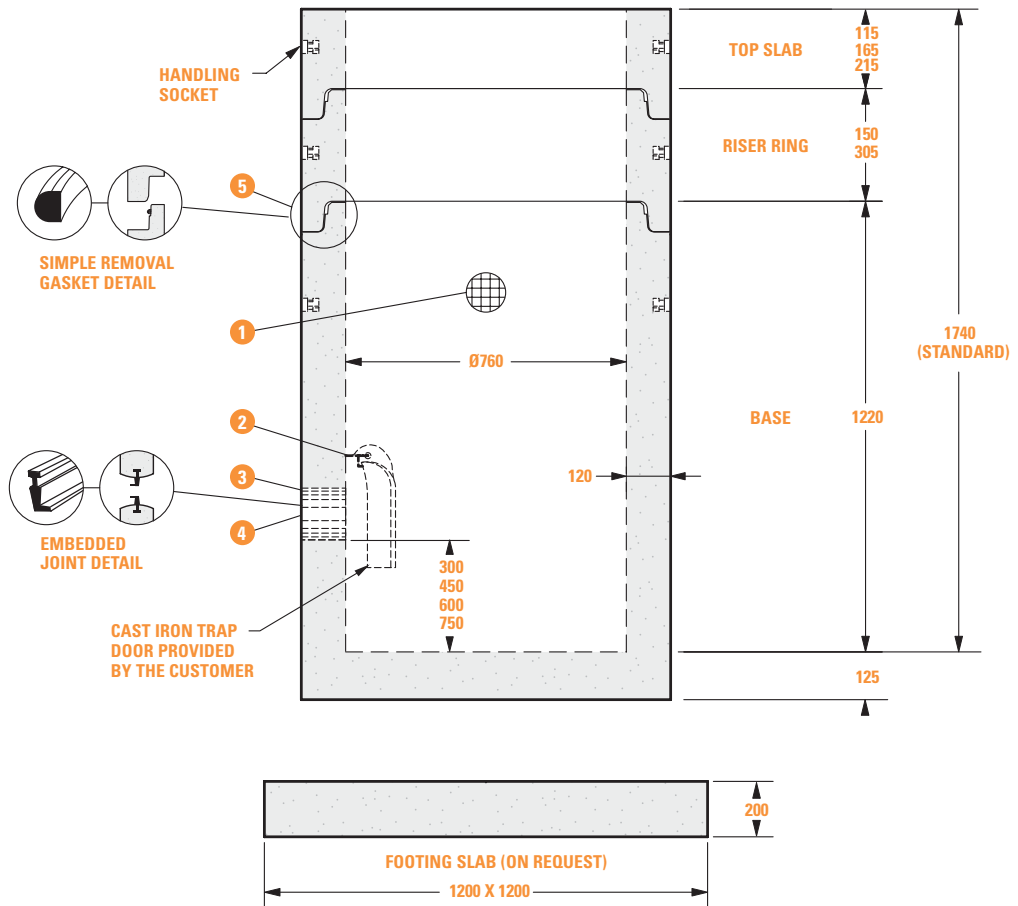
CATCH BASIN TOP SLAB FOR GRATE Ø750



CATCH BASIN TOP SLAB FOR GRATE 350 X 600



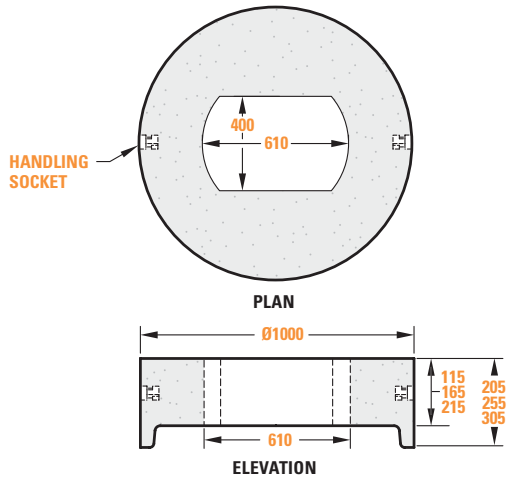
COMPLETE STREET CATCH BASIN Ø750



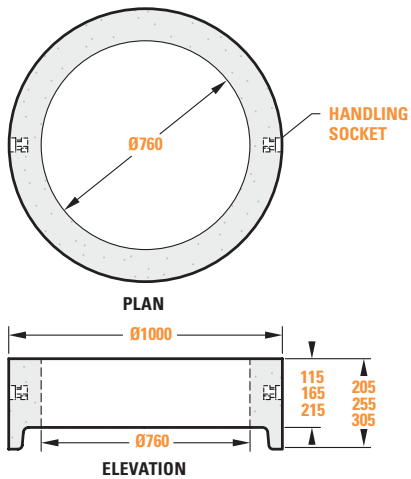
- 1 Opening with grate $\text{Ø}100$ available on request.
- 2 The galvanized steel hook for the cast iron trap is included on all our catch basins.
- 3 Standard catch basin for connection with gravitating PVC of diameter $\text{Ø}150$ - $\text{Ø}200$ - $\text{Ø}250$ - $\text{Ø}300$
- 4 Perforated opening or rubber gasket.
- 5 Rubber gasket available on request.

CATCH BASIN TOP SLAB Ø750

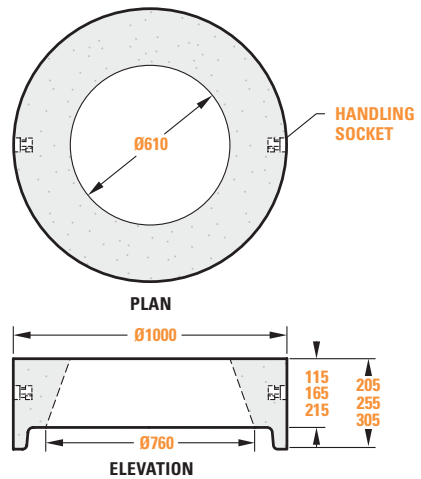
CATCH BASIN TOP SLAB FOR FRAME AND GRATE (350 X 600)



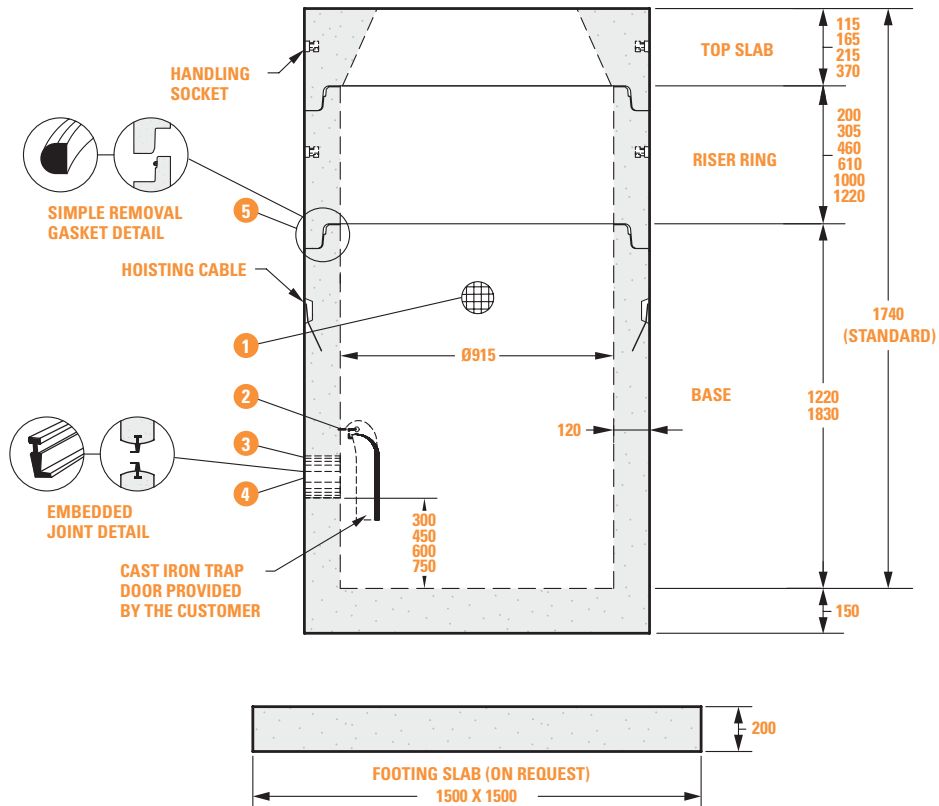
CATCH BASIN TOP SLAB FOR FRAME AND GRATE Ø750 AND Ø775



CATCH BASIN TOP SLAB FOR FRAME AND GRATE Ø570@ Ø750



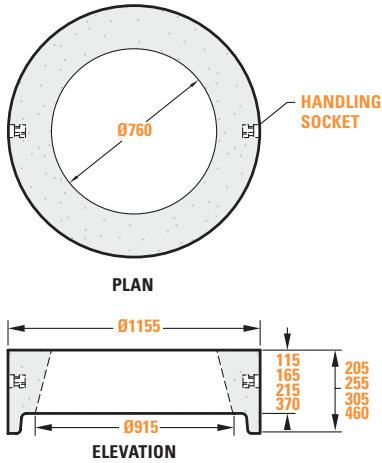
COMPLETE STREET CATCH BASIN Ø900



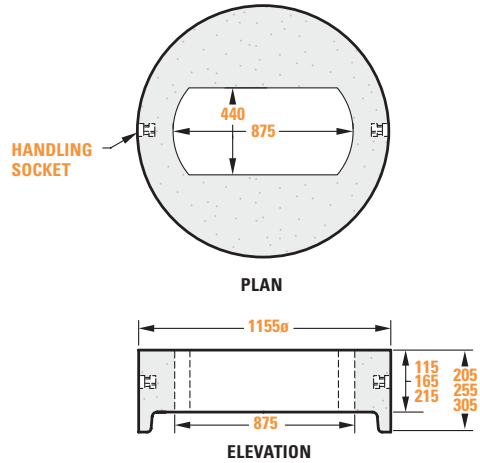
- 1 Opening with grate Ø100 available on request.
- 2 The galvanized steel hook for the cast iron trap is included on all our catch basins.
- 3 Standard catch basin for connection with gravitating PVC of diameter Ø150 - Ø200 - Ø250 - Ø300
- 4 Perforated opening or rubber gasket.
- 5 Rubber gasket available on request.

CATCH BASIN TOP SLAB Ø900

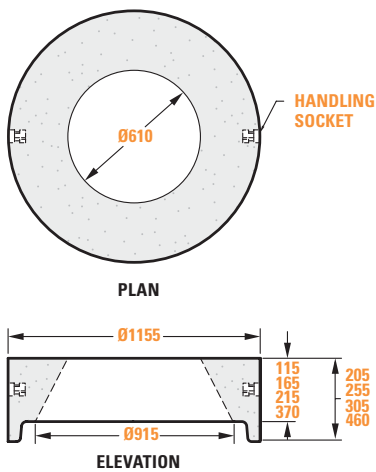
CATCH BASIN TOP SLAB FOR FRAME AND GRATE Ø750 AND Ø775



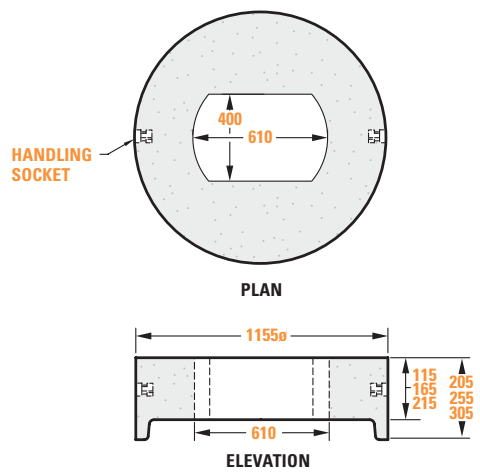
CATCH BASIN TOP SLAB FOR FRAME AND GRATE (450 X 900)



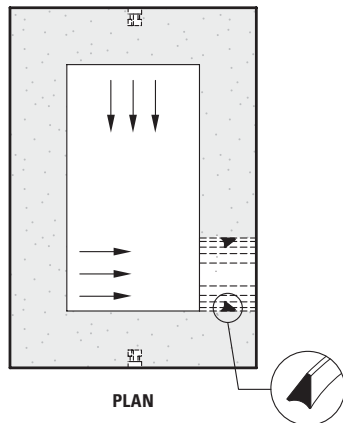
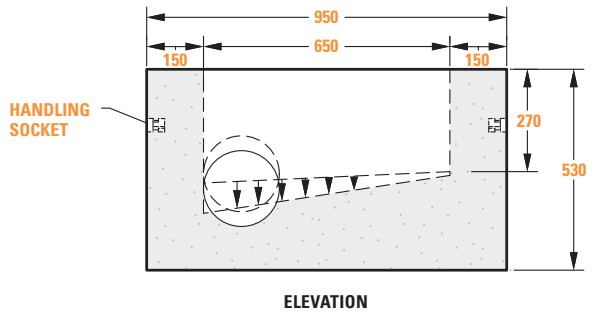
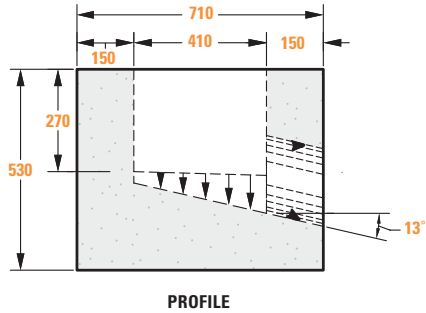
CATCH BASIN TOP SLAB FOR FRAME AND GRATE Ø570 @ Ø750



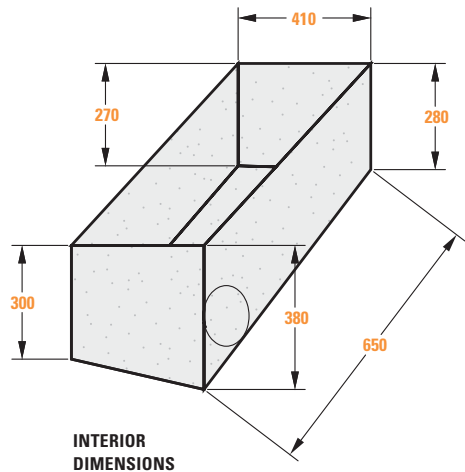
CATCH BASIN TOP SLAB FOR FRAME AND GRATE (350 @ 600)



CATCH BASIN RECEPTACLE (FOR GRATE 350 X 600)

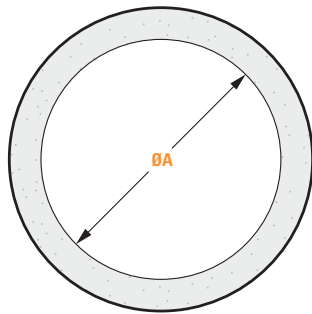


**SIMPLE REMOVAL
GASKET DETAIL
FOR GRAVITATING
SEWER (Ø150 AND Ø200)**



ADJUSTMENT RINGS FOR MANHOLES AND CATCH BASINS

OPENINGS Ø610 - Ø762 - Ø915

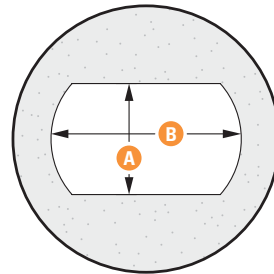


PLAN

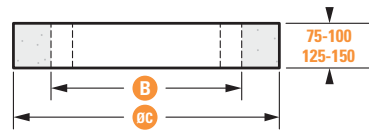


ELEVATION

OPENING (400 X 610)



PLAN



ELEVATION

CHARACTERISTICS

OPENING Ø610 - Ø762 - Ø915

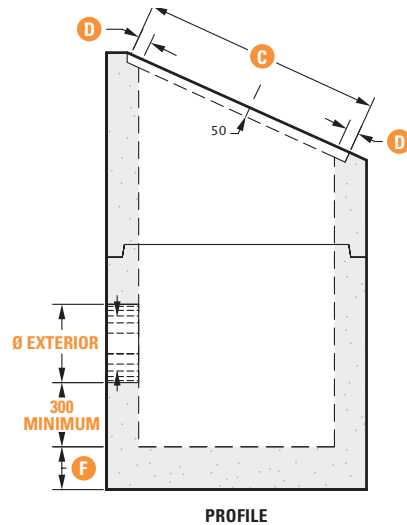
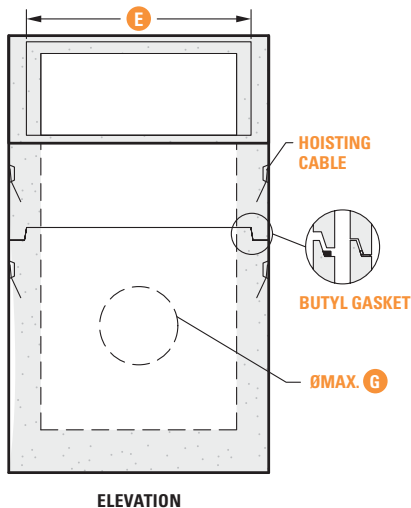
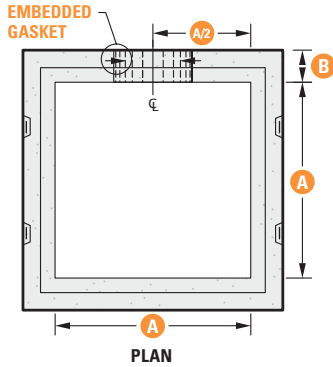
A	B
Ø610	Ø840
Ø610	Ø1155
Ø762	Ø1000
Ø762	Ø1155
Ø915	Ø1155

OPENING (400 X 610)

	A	B	C
MODÈLE			
Ø610	400	610	Ø840

* All dimensions are in millimeters.

DITCH INLET CATCH BASIN



CHARACTERISTICS

A	B	C	D	E	F	G		
LENGTH	SLOPE	DIMENSIONS (mm)					GRATE	
900 x 900	1V : 2H, 3H et 4H	150	1023	50	1050	200	Ø600	1030 x 1100
1400 x 1400	1V : 2H, 3H et 4H	175	1565	50	1550	250	Ø1050	1530 x 1645

* All dimensions are in millimeters. * Grate is to be supplied and installed by the client. * Other slopes available on request.